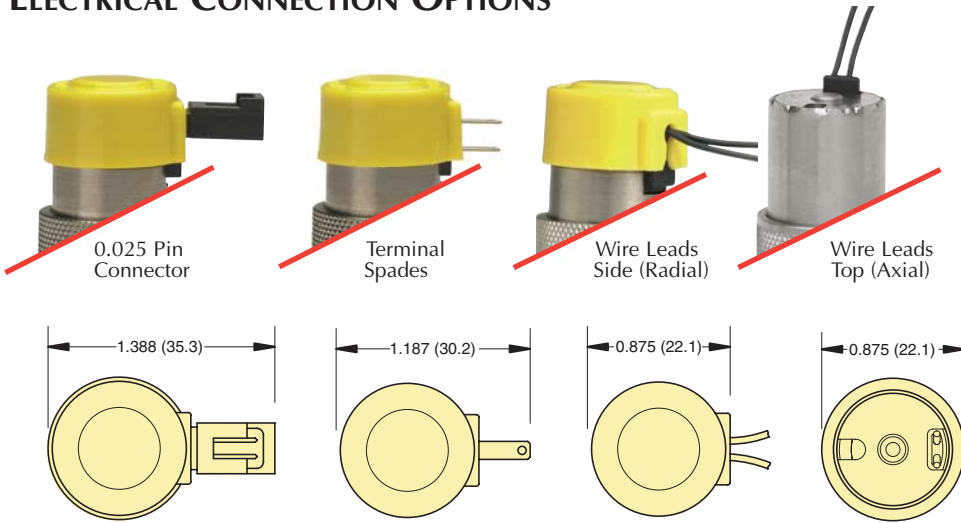




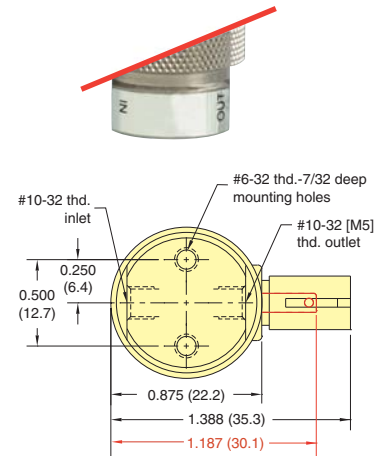
# ELECTRICAL & MOUNTING OPTIONS

## ELECTRICAL CONNECTION OPTIONS

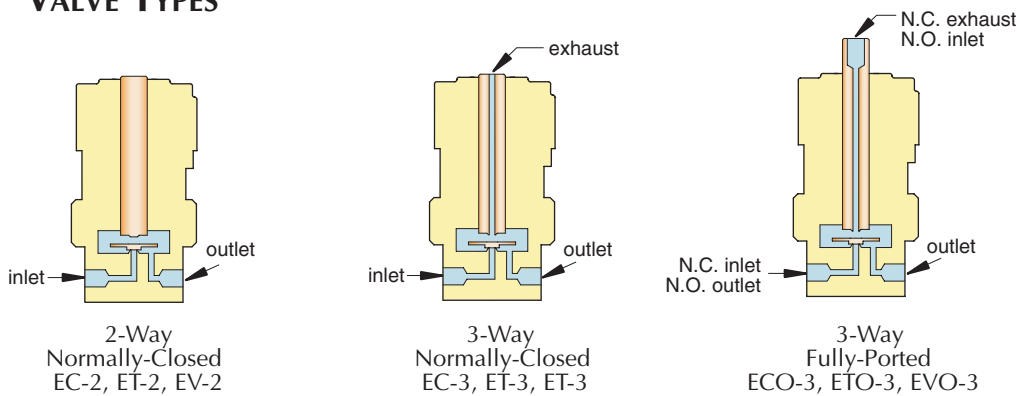


## MOUNTING OPTIONS

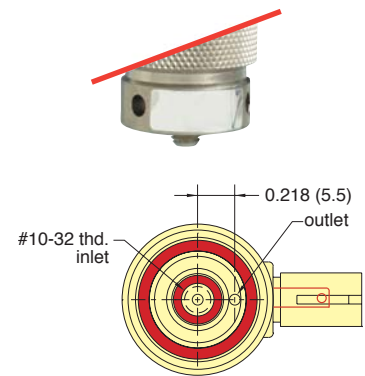
### Inline Mount



## VALVE TYPES



### Manifold Mount



## CUSTOM SOLUTIONS

If you need a product that fits your application perfectly, Clippard has the capability to design or modify one of its products to suit your exact needs. We understand that a standard catalog product may be close but not be exactly what you need. Let us know YOUR Need, and we will help to find YOUR Solution!

**CUSTOM**er solutions



- Custom Voltage
- Custom Flow Rate
- Custom Max Pressure/ Vacuum

### Tight Assemblies

Cartridge design is desirable for integrating valves into compact assemblies. This EVP proportional valve is calibrated to meet the customer's flow range and maintain "zero" leak rate, and is incorporated into the OEM's manifold.



### Clippard Integrated Solutions

offer optimized pneumatic system design to increase performance, reduce cost, and make your job easier.

